



BW08 GPS Vehicle Tracker

(GPS+SMS+GPRS+GSM)

User Manual



(Picture 1)

Please read this manual carefully before attempting installation and online activation. Pictures are for indication and illustration purposes only.

1: Accessories:

- 1) Power code
- 2) Relay
- 3) Locking bolts(4pcs)
- 4) String
- 5) 3M sticker

2、Specifications:

- GSM 850/900/1800/1900
- GPRS: CLASS12,TCP/IP
- Wide for voltage input range:9.5 – 39.9VDC



- Working current: 20mA@12V
- GPS Location accuracy: 10m (2DRMS)
- Working environment temperature: -20~70degrees
- Working environment Humidity: 20% - 80% RH
- Unit size: 95 (L)×45 (W)×13.8 (H)
- Weight: 56g

3: Indicating Led Light



(photo 2)

1) Red Led-(Power Led)

Led Status	Meaning
Quick Flashing	Working normally (working by backup car battery)
Slow Flashing	Working normally (working under battery of device) the device will change to work by own battery while backup battery had been cut down. And it will alarm.
Continuously in dark or bright status:	Device Error

2) Blue Led Light-(GSM status indicator)

Led Status	Meaning
Quick Flashing	Working normally, Uploading GPRS data to platform server.
Slow Flashing	Working normally, Receive GSM signal normally
Continuously in bright status	No GSM signal
Continuously in Dark status	Device Error

3) Green Led Light – (GPS status Indicator)

Led Status	Meaning
Flashing	Working normally. GPS located.
Continuously in bright state	Searching GPS signal
Continuously in dark state	Device Error

**4、Features:**

No	Features	Description	BW08-A	BW08-B
1	GPS positioning	Via GPS positioning, User can track the vehicle location ,speed and routes through phone or computer.	Support	Support
2	Playback Routes	Can check the vehicle's routes and speed in recent 2 months.	Support	Support
3	Setting function via SMS	Setting function of device via SMS and check location via SMS.	Support	Support
4	ACC ignition detection	Get vehicle status via ACC ignition detection	Support	Not support
5	Voice monitor	Voice monitoring	Only mainboard support	Only mainboard support
6	Burglar alarm	When theft cut down the device power, Device will send message and call user.	Support	Not support
7	Vibration Alarm	After setting, Device will send message and call user if theft shock the car or drive the car away.	Support	Support
8	Over speed Alarm	When speed is over than the set speed, device will send message to user.	Support	Support
9	SOS Alarm	In emergency, press SOS Alarm, Device will send message and call user.	Only mainboard support	Not support
10	Cut engine	User can cut engine via platform or sending message to device. Vehicle will be shut down and theft can't drive car away.(For safety considering, it will not cut engine while speed is above 20km/h)	Support	Not support
11	Over voltage protection of Car Battery storage	This device with over voltage protection. To protect the device to be not damaged, this device will cut down the backup battery when input voltage is more than 40V.	Support	Support
12	Low voltage protection of Car Battery storage	This device with low voltage protection. The car battery storage voltage is less than9.5V when user is not using the car for long time. At this time, this device will cut down the backup battery automatically to save the car power for next using.	Support	Support
13	Built-in GPS、GSM antenna	Built-in high tech of GPS、GSM antenna for easy installation.	Support	Support
14	Static state drifting protection	Most of device with static state drifting in the market, our device has applied new tech which can protect this problem nicely.	Support	Support



5、 Method of Installation

5.1、 Preparation before installation

5.1.1 Open the packing box to check whether the type of device is correct and whether the accessories are included, or else please contact your distributor.

5.1.2 Choose SIM card: each device needs to insert a GSM SIM card.
Please refer to the distributor's suggestions to choose the SIM card.

5.1.3 Installing SIM card. (please refer below picture)

Note:

Please use GSM network SIM card;

Power off before installing or removing the SIM card.

The SIM card used should be enabled for GPRS.

Ensure the SIM card can send and receive SMS.



(photo 3)

5.2、 Installation

The device installation is covert. Please refer installation to an auto electrical contractor.

5.2.1 To prevent theft of the device, it should be installed as covertly as possible. Covertly installation is suggested.

5.2.2 Avoid placing the device close to higher power electrical devices, such as reversing radar, anti-theft device or other vehicle communication equipment;

5.2.3 The device should be fixed into position with cable ties or wide double-side tape.

5.2.4 The device has built-in GSM antenna and GPS antenna. During installation, please make sure the receiving side face is up, with no metal object



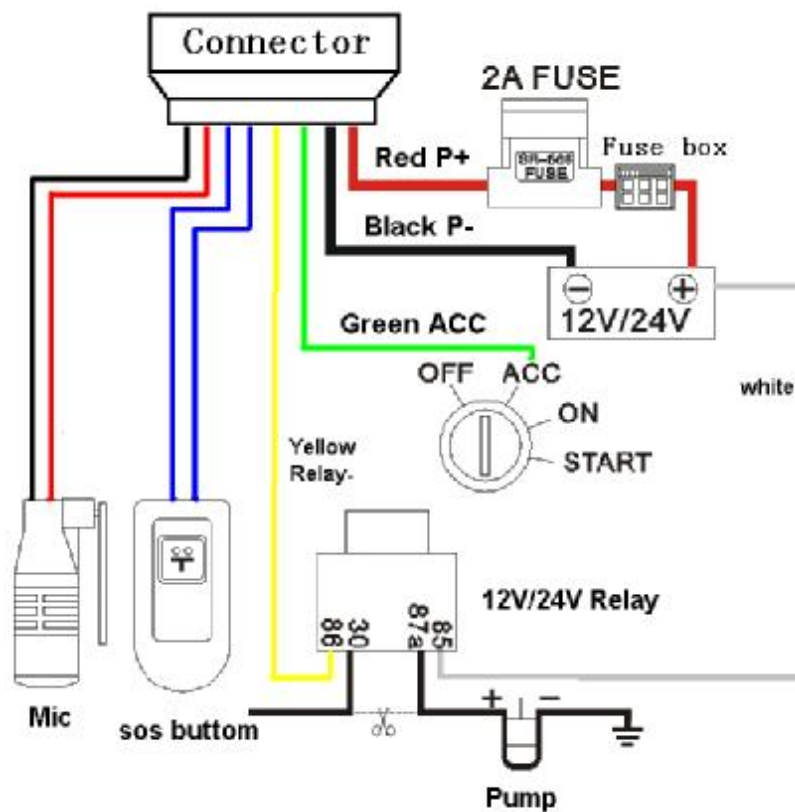
above the device to interfere with GPS reception. The following places are suggested for installation:

- shelter in the decorated board below the front windshield;
- shelter around the front instrument panel (non-metallic material face);
- in the decorated board below back windshield;

Notice: if the windshield is pasted with metal thermal-protective coating or heating coating,

It may affect the receiving signal. In this case, please change the installation place.

5.3 Device wiring diagram:



(图 4)

5.4 Operation of device:

- 5.4.1 Open top cover firstly, Note top cover hasn't fixed with screws in factory
- 5.4.2 Please press power button on the up position (Powered off) Please refer picture 3.
- 5.4.3 Insert SIM card to the card slot and close well.
- 5.4.4 Please press power button on the down position (Powered on). Please refer picture 3.
- 5.4.5 Please close the top cover and fix it with 4 screws.
- 5.4.6 Connect the power code with the interface of device.



5.4.7 Please require professional technical to connect wires and install in the car properly.

6、Cautions of device wiring

6.1、Power code wiring:

The standard voltage is 9.5V-39.9VDC. Please use the power line which provided by the manufacturer. The red line is the positive. The black line is the negative. The negative should earth alone or link iron during installing. Do not connect it to other ground wire. And please make sure the device is powered on status. (Power button on down position)

Red Led light will flashing while device installed correctly, GSM blue led light and GPS Green led light will flashing around 1 minutes later after getting signal.

6.2、Cut Engine wiring:

1. This device supports 12V relay, please make sure install correctly of the power code wiring, or it can't cut engine.
2. For safety, the device will cut engine via speed is less than 20km per hour
3. Please use the device in a valid way, or you will be responsible for any invalid activities.

7、Message command:

User can set different kinds of function commands via sending message, including check position, cut engine, etc., Below commands and punctuation marks must be putted under English status. All commands will get auto replies according to the message sent.

Note device with initial password 6666

No	Features	Message sent	Replies	Remarks
1	Add administrator No 1	#Password#AAD#1#Cell No#	ADD admin account 1 ok!	For example: #6666#AAD#1#13554809219#
2	Add administrator No 2	#Password#AAD#2#Cell No#	ADD admin account 2 ok!	
3	Delete Administrator No 1	#Password#DAD#1#	Delete admin account 1 OK!	For example: #6666#DAD#1# #6666#DAD#2#
4	Delete Administrator No 2	#Password#DAD#2#	Delete admin account 2 OK!	
12	View Administrator & Authorized officer numbers	#Password#VA#	Display 2 administrators number and 3 authorized numbers	For example: #6666#VA#
13	Setting password	#Password#CP#new password#	change password ok!	For example: #6666#CP#1234#, New password is 1234



14	Restore password	#Password#RP#	reset password OK!	For example: #6666#RP# Restore password to factory standard.
15	Getting Location of longitude and latitude	#Password#GL#	Reply with google links of longitude and latitude	For example: #6666#GL#, will get the current longitude and latitude of device.
16	Getting Address	#Password#GA#	Reply of address	For example: #6666#GA#, will get current address of device, like: 6metres, Luohu, Shenzhen, China.
17	Setting IP address of server	#Password#IP#IP Address#Port#	#6666#IP#211.154.148.162#7000#OK!	For example: #6666#IP#211.154.148.162#7000#
18	Setting Domain name of server	#Password#WZ#Domain name#Port#	#6666#WZ# www.szbenway.com #7000#OK!	For example: #6666#WZ# www.szbenway.com #7000#,
19	Checking IP Address	#Password#IP?#	The IP is: 211.154.148.162:7000	For example: #6666#IP?#
20	Checking IP address after analyzing domain	#Password#WZ?#	The IP(WZ) is: 211.154.148.162:7000	For example: #6666#WZ?#
21	Cut engine	#Password#CF#	Start to cut fuel, When speed < 20 ,OK!	For example: #6666#CF# , only apply for administrator
22			Fuel cut has already been completed,OK!	Means engine cut down
23			Speeding now is > 20, So don't Cut Fuel, Pls wait till speed is <20 and try again!	Means speed is >20km/hour. For safety considering, it will not cut engine, Please try again until speed is <20
24	Start engine	#Password#OF#	Start to open fuel, OK!	For example: #6666#OF# , Start engine only apply for administrator.
25			Open fuel has already been completed,OK!	Means engine started
26	Set Over speed Alarm	#Password#SOSA#120#	Set Over speed alarm,OK!	For example: #6666#SOSA#120#, It will alarm while speed more than 120km/hour
27	Cancel speed Alarm	#Password#COSA#	Close over Speed Alarm, OK!	For example: #6666##COSA#. Over speed alarm cancelled.
28	Set Vibration Alarm	#Password#SSA#level#	Set alarm level, OK!	For example: #6666#SSA#1#, Here means level set at 1, (most flexible) Standard level is 2, lowest level is 5.
29	Cancel Vibration alarm	#Password#CSA#	Close vibration Alarm, OK!	For Example: #6666#CSA#
30	Apply Voice monitoring	#Password#OM#		For example: #6666#OM#
31	Cancel voice monitoring	#Password#CM#		For example: #6666#CM#
32	Re-start device	#Password#Reset#	Start Reset System, OK!	For example: #6666#RESET#, Device will be re-started in 8-18seconds.



33	Restore factory setting	#Password#FactoryA LL#	resume factory parameter,OK!	Restore all setting to factory standard, there will be no message alert sometimes as device re-started.
34	Restore factory setting except IP	#Password#Factory#	resume factory parameter,OK!	Restore settings to factory standard except IP and port datas.

8、Logging on platform to track devices via Internet.

Platform Web domain:

If you are registered user already, you can logging in platform directly, or please contact with your distributor to open an account for you.

Please contact your distributor and get the platform user manual.

Please enter your user name and password to logging in.

9、Trouble shooting

After installing it in the first time, if device can not get connected with platform server, at this time it is "logged off" status in platform. Please

check the installation of device:

- 1) Check whether the connection of power-line is correct, please do not connect it with the car control line.
- 2) Check whether SIM card is installed correctly, please refer to the installation manual;
- 3) Check whether the power switch is toggled to "ON", the switch is in the left of the SIM card's slot.
- 4) Whether ACC ignition cable is connected, please turn on the ACC with key after it is connected.
- 5) Check the LEDs' status. In normal working status, the red LED is in solid bright or flashing; green LED and blue LED are both in solid bright.
- 6) Check whether GPS is located, if not, please drive to the open areas for positioning.

9.2 If it is "offline" status in platform:

First of all, check the three LEDs' status. If it is not convenient to check that, please check the SIM card status :

- 1) Call the SIM card number of the device to check whether you can get through;
- 2) Check whether the vehicle is in no GSM area, such as basement;
- 3) Check the GSM/GPS disconnection area, whether it is all disconnected or few of them disconnected, to make sure whether it is the fault of operator's internet.
- 4) Check whether your SIM card charge is overdue;
- 5) Check whether the SIM card supports GPRS;
- 6) Check the parameter setup, whether the device IMEI number, GPRS sending interval is correct;

9.3 If the device' GPS function is normal, but can not locate for a long time, please check whether the installation setup of device is correct:



1) Please make sure the GPS antenna face is up;

2) Please make sure there is no electromagnetic wave- absorbent object (metal) above the device, especially the thermal-protective coating on the windshield, it may affect the GPS reception of the device;

9.4 If GPS can not receive the signals normally (there is high building around to interfere with GPS reception), please drive to the open areas for positioning. Generally, it needs 1-2 minutes to receive the first coordinates.

9.5 If GSM can not receive the signals normally, please check whether SIM card is installed correctly or there is no GSM signal at the location you are, such as basement parking, please drive to a place covered by GSM signal reception.

9.6 When cellphone with special number receives tele- cutoff alarm sms, please make sure whether it is illegal wire cutoff, or the FUSE on power line is blown. If the FUSE in it is blown, please contact your distributor to exchange with the same model FUSE, after the internal trouble is shoot, it can be power on to work again.