

To ensure quickly and correctly use, please read this manual carefully before using. Any changes to the product appearance, color or accessories are without notice.

1. Product Features

1.1 Main Functions

- Real-time tracking
- ACC detection
- Geo-fence
- Power off alert
- Movement alert
- Intelligent power saving
- Vibration alert
- Remotely control electricity/petrol
- Low battery alert

Notice:

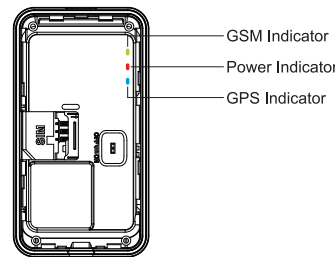
The devices can only be installed in motorcycle.
Any consequences caused by illegal or improper usage are supposed to be born by the users.

1.2 Specifications

Frequency	GSM 850/900/1800/1900MHz
GPRS	Class 12, TCP/IP
Operating Voltage	7-18VDC
Location Time	Cold Start: <35s
	Hot Start: <2s
Location Accuracy	<10 meters
Operating Temperature	-20 C — +70 C
Dimension	80(L) x 43(W) x 13(H) mm
Weight	48.5g

2. Appearance

2.1 Appearance



2.2 LED indicators

GPS LED Indicator - Blue		
●-●	Blinking	Searching GPS signal
●-○-●	Blinking slowly	GPS positioned
●-●-●	OFF	GPS sleep or off

GSM LED Indicator - Green		
●-●	Blinking	GSM initializing
●-○-●	Blinking slowly	GSM working/GPRS Online
●-●-●	Solid green	Calling on the line
●-●-●	OFF	No GSM signal or SIM card

Power LED Indicator - Red		
●-●	Blinking	Low battery
●-○-●	Blinking slowly	Full charged/Working
●-●-●	Solid Red	Charging process
●-●-●	OFF	Low battery/Internal error

●-●-●-●	Blink in a loop	Device is arming status
---------	-----------------	-------------------------

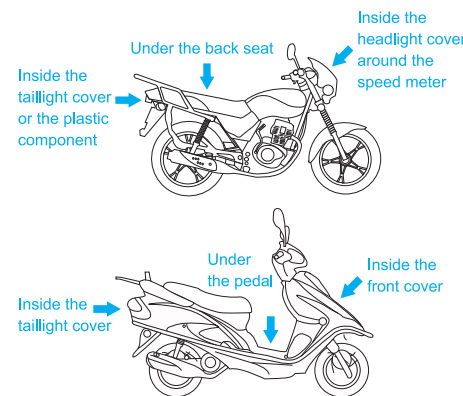
3. Wiring & Installation Instructions

3.1 Installation

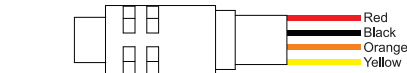
Assistance from professional services is recommended.

Notes:

- Stay away from water
- Use double-side tape and cable tie to fix
- Face (indicators) up to sky



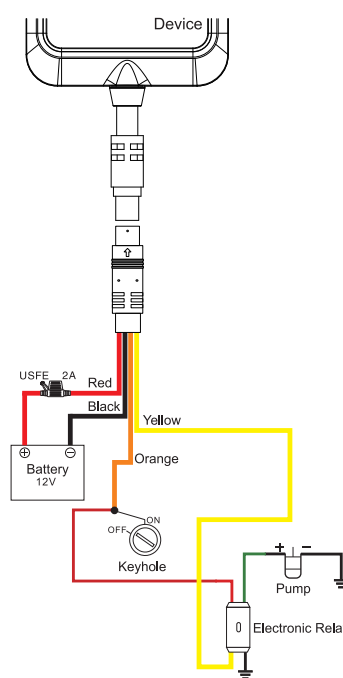
3.2 Wiring Definition



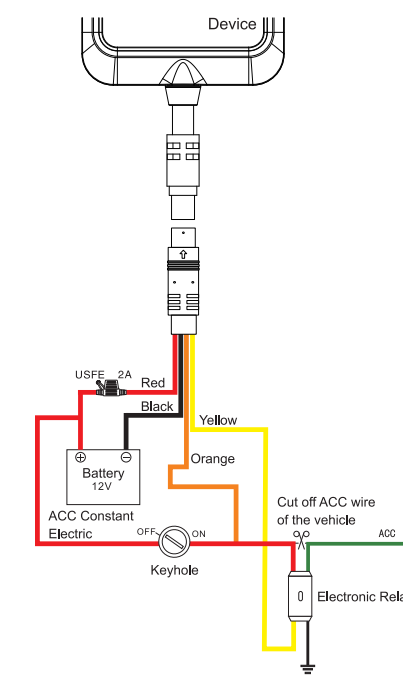
No.	Definition	Color	Illustration
1	V+	Red	Positive pole(9-18V)
2	V-	Black	Negative pole
3	ACC	Orange	ACC on
4	Relay	Yellow	Power cutoff (relay needed)

3.3 Wiring

1. To control the pump connection



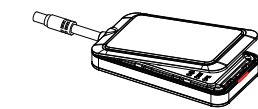
2. To control the ACC connection



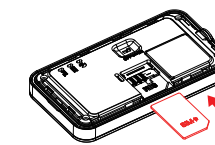
- Use multi-meter to find out the battery's positive and negative side.
- The way to find ACC line: Use multi-meter's red pen to touch the ACC wire while the black pen touching the ground wire. When the ignition lock switches to OFF, the voltage is 0V; when the ignition lock switches to ON, the current voltage will show up.
- Power cable connects to the positive and negative pole of the battery.
- ACC cable connects to motorcycle's ACC line.

4. Switch ON/OFF

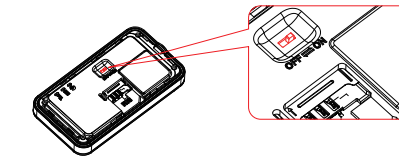
4.1 Remove the surface cover



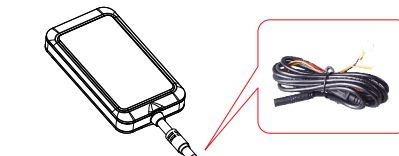
4.2 Insert the SIM card



4.3 Toggle the battery switch to ON



4.4 Place the cover back and connect to external power that will supply power for the battery.



5. Function

5.1 Power cut-off alert

When the power supply is disconnected, it will activate cut-off alarm and alert will be sent to preset SOS number.

5.2 Low battery alarm

When battery is in low level, the device will activate low battery alarm.

5.3 Vibration alert

When vehicle vibrates for several times, the vibration alarm will be triggered. The device will send vibration alarm message immediately.

Notice:

ACC line should be connected correctly; otherwise, false alarm may arise.

Default ON. Turn ON/OFF by platform or APP.

5.4 Geo-fence alert

In platform, you can geo-fences in specific area. When the device enters or exits specific areas, it will send alarm to the platform.

5.5 Movement alert

Device will send movement alarm when vehicle moves out the pre-set distance (when ACC is off and GPS is fixed).

Notice:

SMS alert is available only SOS preset.

Default OFF. Turn ON/OFF by platform or APP.

5.6 Petrol/Electricity cutoff

Petrol/Electricity cutoff is to disconnect the petrol power supply or ACC to stop the vehicle.

This function requires installation of an authorized relay. User can send command by APP or platform to cut off or restore power.

5.7 Battery Protection

When the motorcycle's battery voltage decreases to a certain value, the battery protection function will be activated. Device will transfer to power saving mode after low battery alert is sent. In power saving mode, the device is offline, GPS is off and vibration alert still works.

Notice:

This function requires correct connection with the ACC wire (ACC wire can't be connected to constant electric); otherwise, device can't wake up in battery protection status.

6. Platform Operation

Register on the designated service platform by authorized dealer to start the tracking service and settings.

6.1 Login service platform

Please login the designated service platform to set and operate the device.

6.2 Download APP

Please download and install the APP in designated website, APP store or Google Play store.



6.3 SMS command

To use SMS command, the preset SOS number is necessary. Login the designated platform to check the SMS command.

7. Appendix

7.1 Battery Safety

Battery specified by manufacturer is recommended. Maintenance or service arising from any other accessories is not guaranteed. Manufacturer assumes no responsibility for any damage caused by non-original accessories.

Metal objects may cause battery contactor short circuit. Don't bend or open battery.

Don't immerse or burn battery.

Battery charging should be done at room temperature.

Charging may fail at temperature below 0 degree centigrade or above 45 degree centigrade.

Deformed, discolored, leaky or package damaged battery usage is forbidden.

Don't discompose or remake battery.

7.2 Trouble shooting

If you are having trouble with your device, try these troubleshooting procedures before contacting a service professional.

Problems	Causes	Solutions
Poor signal	The signal waves unable to transmit when use the GPS tracker in the places that have poor signal reception, such as: tall building around or basement.	Using the GPS tracker in the places that have good signal condition.
Unable to boot	Low battery	Charge the device battery
Unable to connect to the network	SIM card inserted incorrectly	Check SIM card
	Dirty things exist above the SIM card	Clean SIM card
	Invalid SIM card	Contact network supplier
Unable to Charge	Not in GSM service area	Move to service area
	Poor signal	Move to area with strong signal
Fail to locate	Poor contact	Check power cable
Fail to locate	SIM has no access to GPRS	Contact network supplier to get GPRS service
	Always reply "Address inquiry failed"	Contact supplier

8.Common Command List

Edit SMS command in the right column to the device SIM number to achieve respective function as below:

1	Device status	STATUS#
2	Device coordinate	WHERE#
3	Location URL	URL#
4	Check version	VERSION#
5	Network setting	GPRSSET#
6	APN setting	1. APN, [apnname]# E.g: APN,internet# 2. APN, [apnname],[user],[pwd]# E.g: APN,internet,CLIENTE,AMENA#
7	Server setting	SERVER,mode,domain/IP,port,0# E.g. SERVER,1,www.ydpat.com,8011,0# SERVER,0,211.154.135.113,8011,0# mode1 means set with domain name mode 0 means set with ip address
8	SOS setting	1. Add SOS number: SOS,A,number 1,number 2,number 3# E.g. SOS,D,1,2,3# 2.Delete subjected sequence of SOS number: SOS,D,number sequence 1, number sequence 2, number sequence 3# E.g. SOS,D,1,2,3# 3. Delete the SOS number : SOS,D,phone number# 4. Query SOS number : SOS#
9	GPS data upload time interval	TIMER,T1,T2# T1=5~18000 seconds ; ACC ON upload interval ; default value : 10 T2=5~18000 seconds ; ACC OFF upload interval ; default value : 10 (when GPS is not sleep)
10	GPS data upload distance interval	DISTANCE,D# D=0. 50~10000 meter ; Distance interval ; default value : 300, unit : meter ;

11	Delayed defense setting	DEFENSE,A# A:1~60 minutes, set delayed defense, default value : 10 minutes
12	Vibration alarm (default OFF)	1. SENALM,ON# 2. SENALM,OFF#
13	Displacement alarm setting (default OFF)	1. MOVING,ON,R,M# R=100~1000; Displacement radius, unit: meter M=0~2; Alert way 0:GPRS, 1:SMS+GPRS ; 2: GPRS+SMS+CALL E.g. MOVING,ON,200,2# 2. MOVING,OFF#
14	Set center number	Set center number : CENTER,A,mobile number# Delete center number: CENTER,D#
15	Power/oil control	RELAY,A# A=0/1 0= restore petrol; 1=cut off petrol Default value : 0 E.g. RELAY,1#
16	Restart	RESET# Device restart 20 seconds after receiving this command

GPS Motorcycle Tracker

MOPLUS



User Manual V1.0